

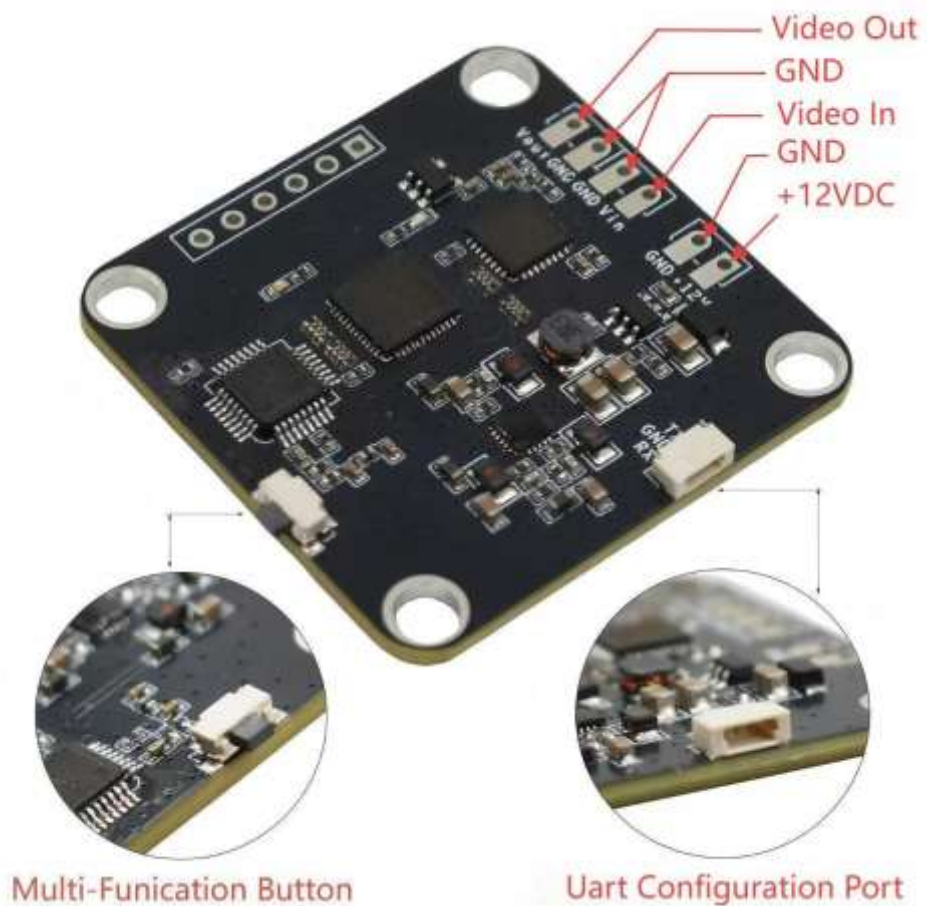
## Features

- High security
- Encryption key:  $1 \sim 2^{32}$
- Real-time encryption and decryption
- Short video transmission delay: 256.8us
- Synchronization time:  $\leq 1.5s$
- Easy to install
- High reliability
- Operating voltage: DC 7~14V
- Power consumption:  $\leq 0.6W$
- Product size: 37mm×37mm
- Installation hole spacing: 30.5mm
- Product weight:  $\leq 6g$
- Operating temperature range:  $-40 \sim +60^{\circ}C$

## Role

Mark E is encryption module, mark D is decryption module

## Interfaces



## Installation and Wiring

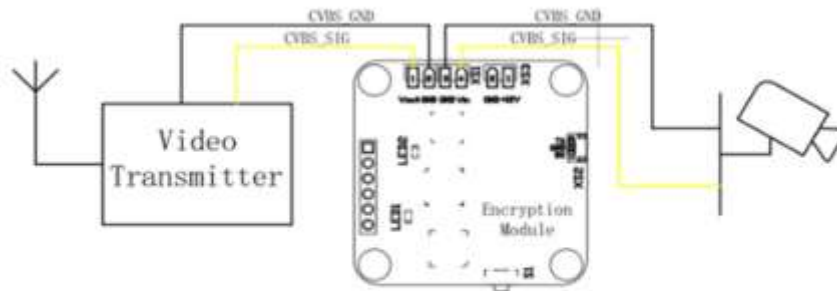


Figure 2: Installation and Wiring Diagram of the Encryption Module

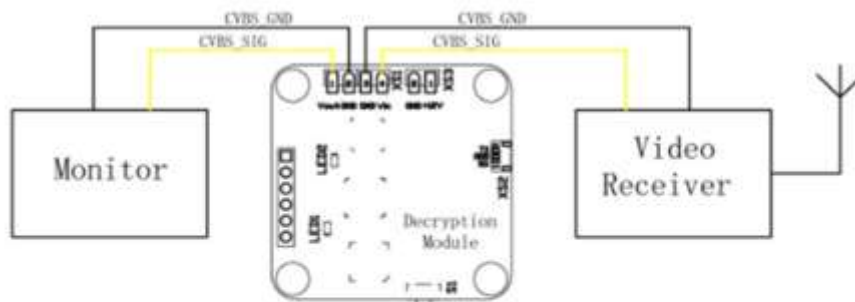


Figure 3: Installation and Wiring Diagram of the Decryption Module

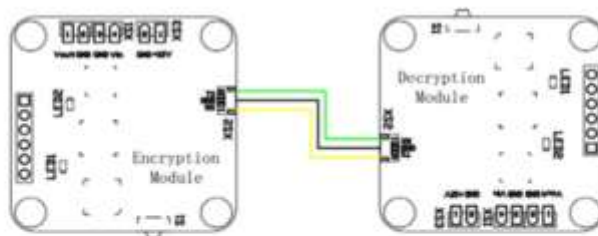


Figure 4: Pairing Connection Schematic Diagram of the Encryption and Decryption Modules

Note: If it has been paired with the encryption module, when both the encryption module and the decryption module are double-clicked, the newly generated keys are the same, and there is no need to pair again.

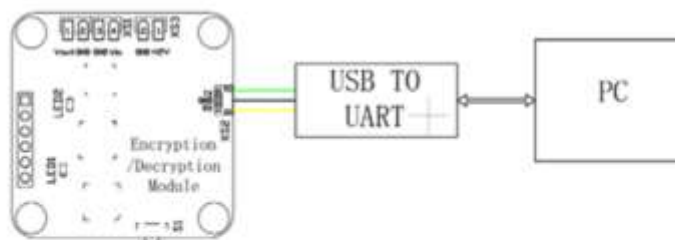


Figure 5: Connection Diagram of the Encryption/Decryption Module with PC

## Configurations

Multi-function button - single click	The module is reset and the indicator light flashes once.
Multi-function button - double click	The encryption module regenerates the secret key, and the button indicator light flashes twice.
Multi-function button - long press	Encryption module: Press and hold for more than 4 seconds to restore the default settings, and the button indicator light flashes 3 times. Decryption module: Press and hold for more than 4 seconds to obtain the current settings from the encryption module. The key indicator light flashes 5 times if successful, and 3 times if failed.

## Dimensions

