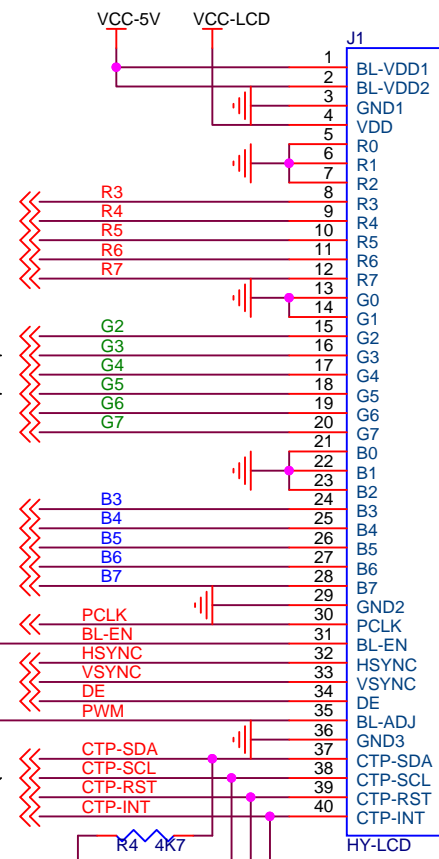
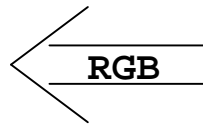


LCD Power

Red: 5bit
Green: 6bit
Blue: 5bit

To MCU/MPU

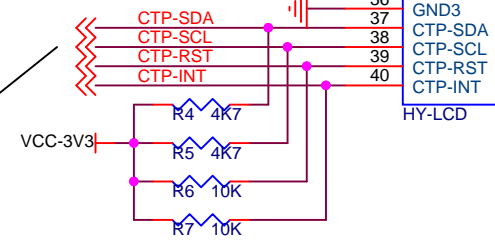


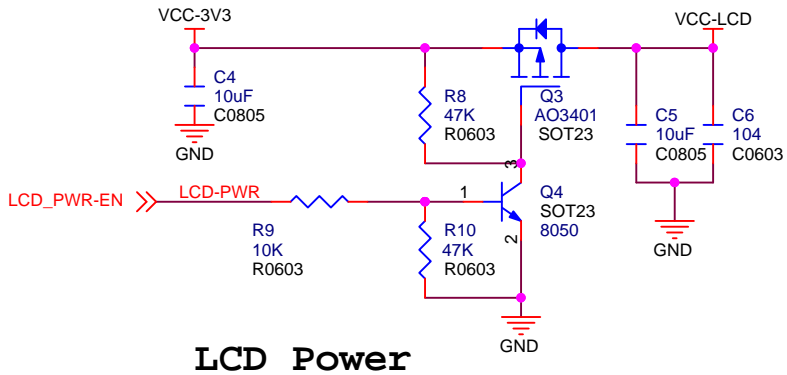
BL_EN = 1, BackLight ON
BL_EN = 0, BackLight OFF

100Hz~200K Hz PWM

The maximum duty cycle, the darkest backlight.
The minimum duty cycle, the brightest backlight.

To MCU/MPU IO

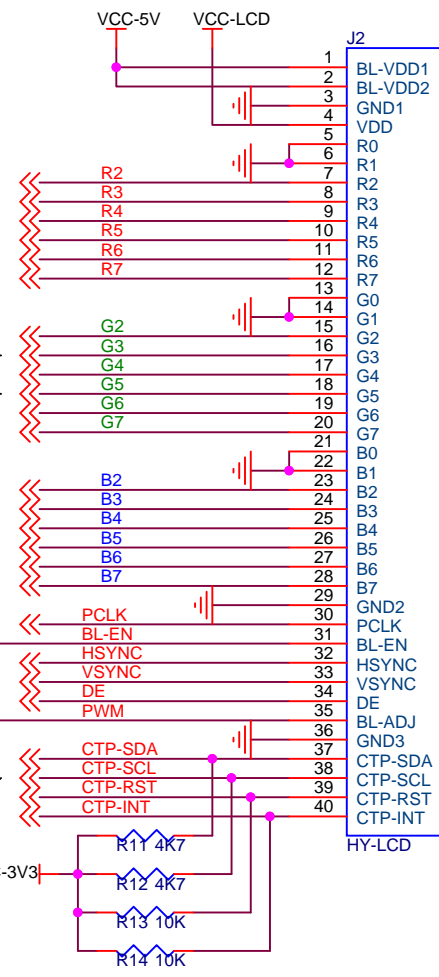
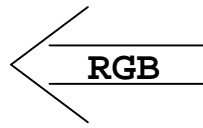




LCD Power

Red: 6bit
Green: 6bit
Blue: 6bit

To MCU/MPU

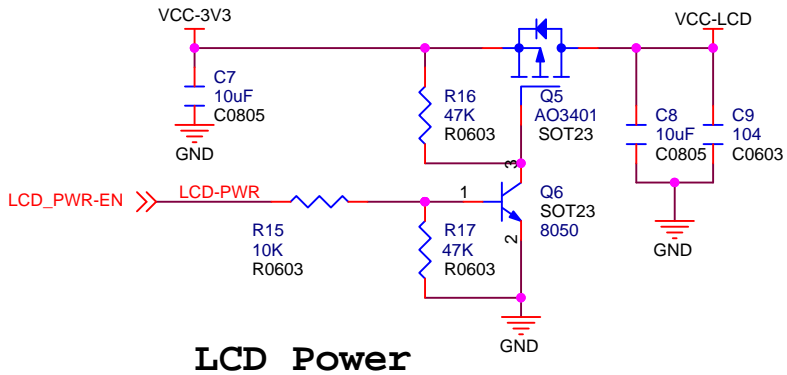


BL_EN = 1, BackLight ON
 BL_EN = 0, BackLight OFF

100Hz~200K Hz PWM

The maximum duty cycle, the darkest backlight.
 The minimum duty cycle, the brightest backlight.

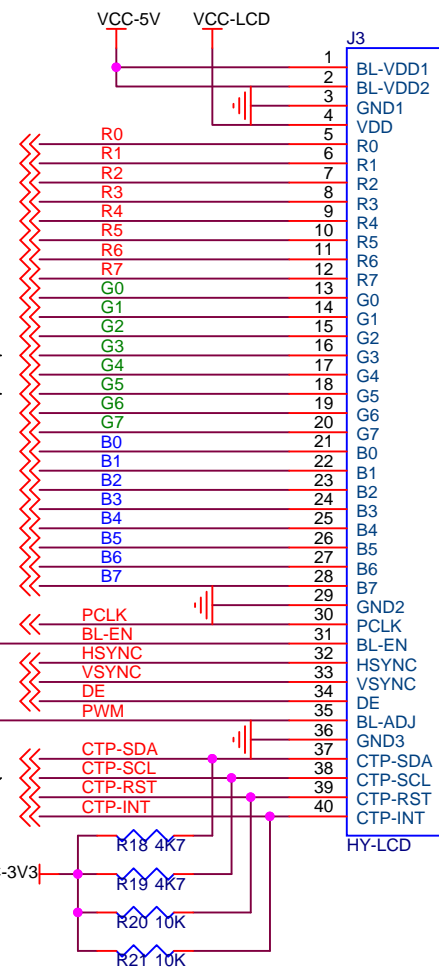
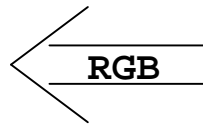
To MCU/MPU IO



LCD Power

Red: 8bit
Green: 8bit
Blue: 8bit

To MCU/MPU



BL_EN = 1, BackLight ON
BL_EN = 0, BackLight OFF

100Hz~200K Hz PWM

The maximum duty cycle, the darkest backlight.
The minimum duty cycle, the brightest backlight.

To MCU/MPU IO