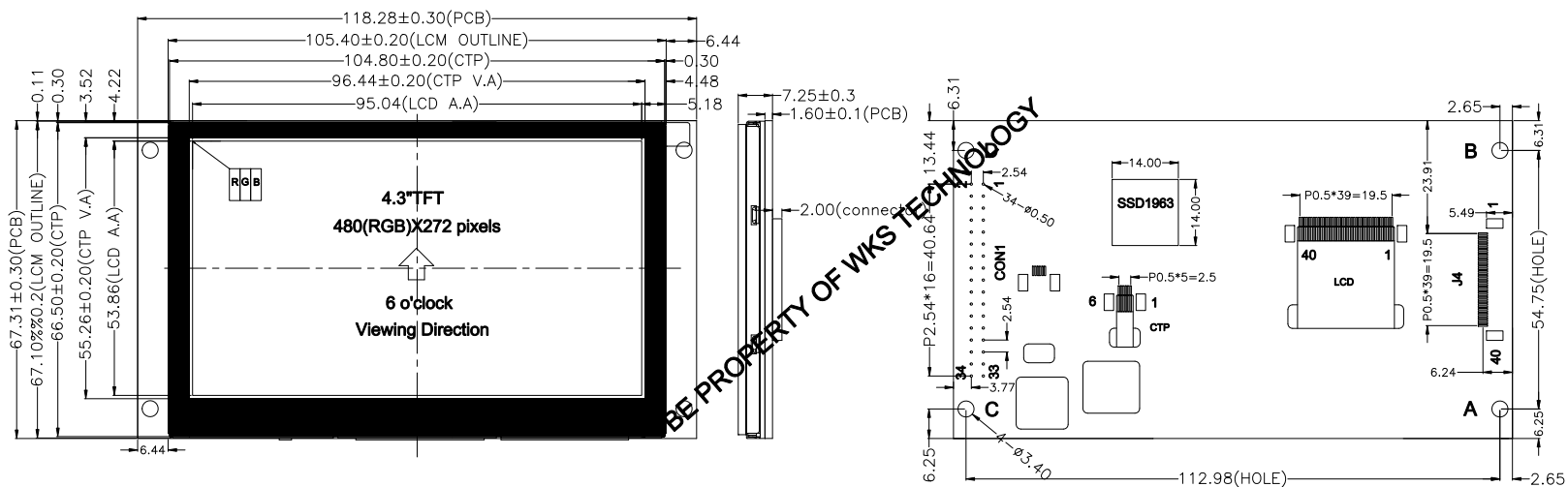


Customer Approved

REV NO.	Contents	Date
V0	First release	2016-09-11

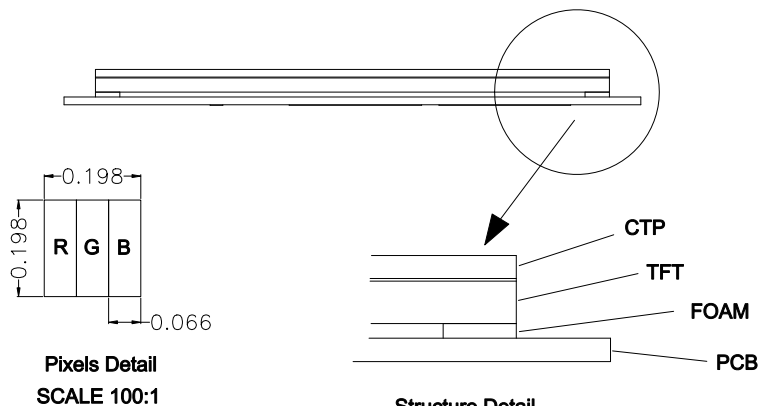


CON1 Interface

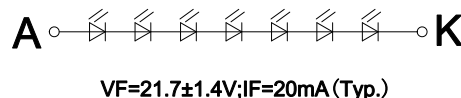
NO.	SYMB
1	CS
2	RS
3	WR
4	RD
5	LCD_RST
6	DB0
7	DB1
8	DB2
9	DB3
10	DB4
11	DB5
12	DB6
13	DB7
14	DB8
15	DB9
16	DB10
17	DB11
18	DB12
19	DB13
20	DB14
21	DB15
22	GND
23	BL_CTRL
24	GPIQ3
25	GPIQ2
26	GPIQ1
27	GPIQ0
28	VCC5V
29	NC
30	CTP_SDA
31	CTP_INT
32	CTP_RST
33	CTP_SCL
34	NC

J4 Interface

NO.	SYMB
1	GND
2	GND
3	CS
4	RS
5	WR
6	RD
7	LCD_RST
8	DB0
9	DB1
10	DB2
11	DB3
12	DB4
13	DB5
14	DB6
15	DB7
16	DB8
17	DB9
18	DB10
19	DB11
20	DB12
21	DB13
22	DB14
23	DB15
24	GND
25	BL_CTRL
26	GPIQ3
27	GPIQ2
28	GPIQ1
29	GPIQ0
30	VCC5V
31	NC
32	CTP_SDA
33	CTP_INT
34	NC
35	CTP_RST
36	CTP_SCL
37	NC
38	NC
39	GND
40	GND



Backlight Circuit:



WKS 慧勤智远科技有限公司



Display Type:	4.3" TFT+CTP+PCB	Driver IC:	TBD	Pixel Pitch:	0.198mm X 0.198mm
Display Mode:	Transmissive	Operating Temperature:	-20°C to +70°C	LCM Brightness:	200cd/m²
Viewing Direction: (Gray inversion)	6 o'clock	Storage Temperature:	-30°C to +80°C	Backlight:	7 Serial White LED
Display Resolution:	480(RGB)X272 pixels	Structure:	LCD+IC+FPC+BL+CTP+PCB	Material Note:	ROHS Request

Product NO:		WKS43WQV001-WCT			
Part NO:		CTP Model	APPD:	Henry	
Rev:	V0	Unit:	mm	CHKD:	Liwen
Date:	2016-09-11	Scale:	1:1	DWN:	Jason
Unmarked Tolerance: ±0.20mm			Sheet:	1 OF 1	

THIS DRAWING IS PROPERTY OF WKS CO. LTD, IT CANNOT BE REPRODUCED WITHOUT PERMISSION.