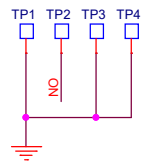
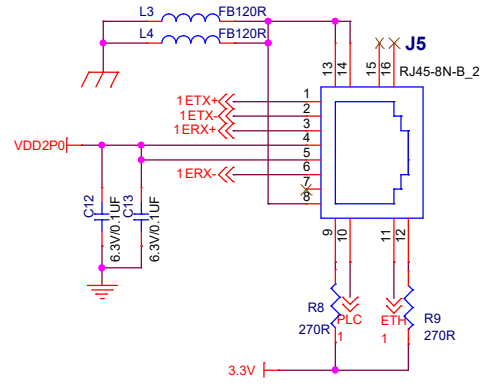
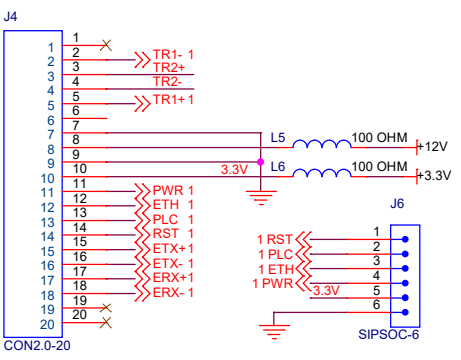
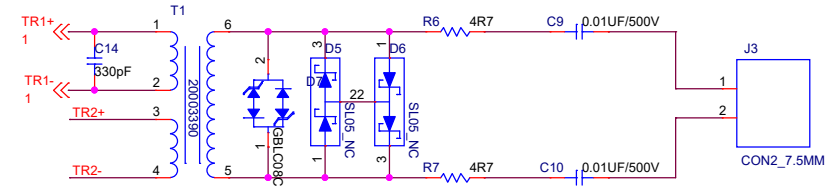
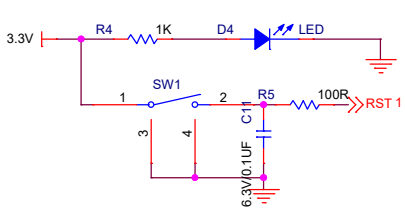
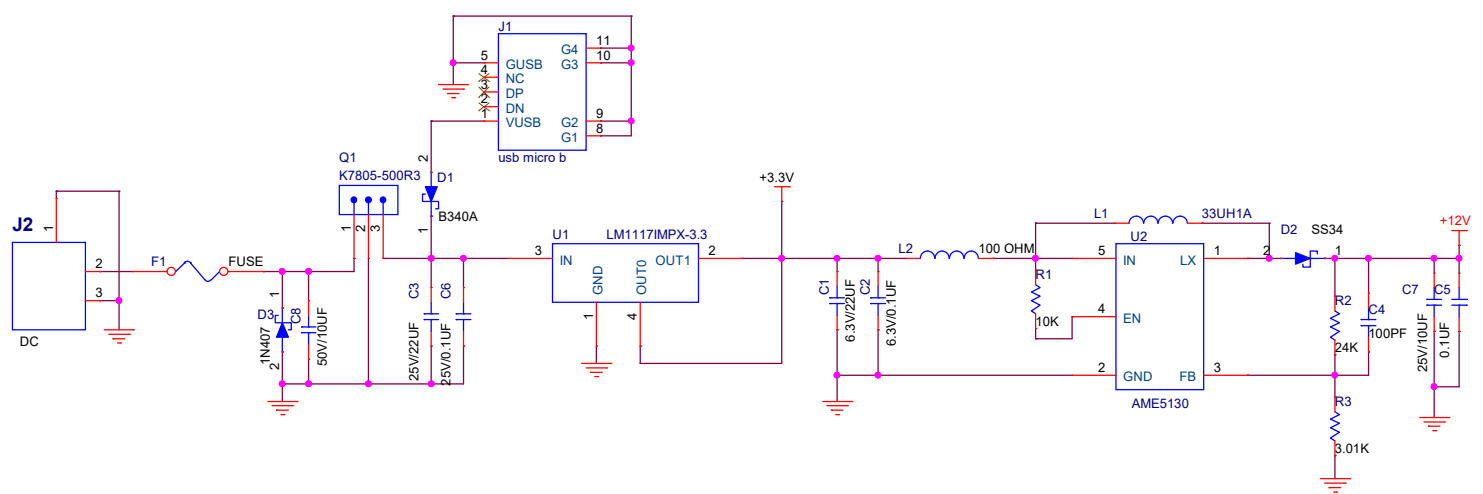


Title		
<WisPLC PRO>		
Size	Document Number	Rev
A	<Doc>	
Date:	Wednesday, April 10, 2019	Sheet 1 of 2



Title		
<WisPLC PRO>		
Size	Document Number	Rev
B	<Doc>	
Date:	Wednesday, April 10, 2019	Sheet 2 of 2