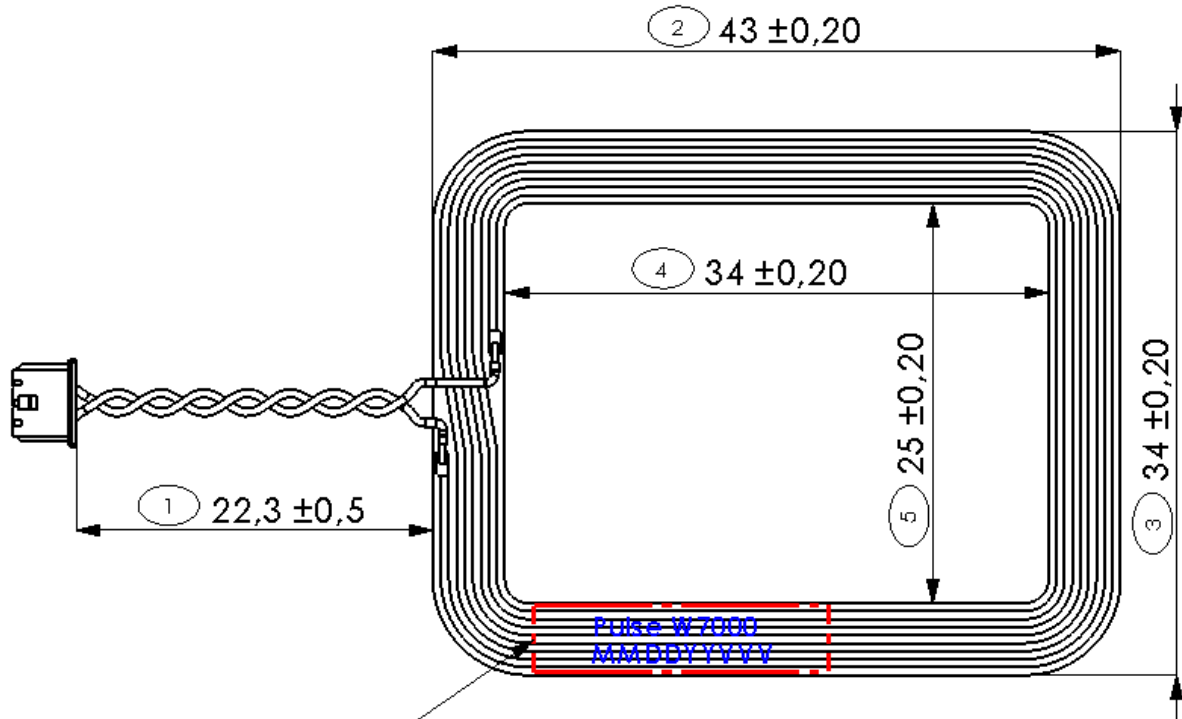


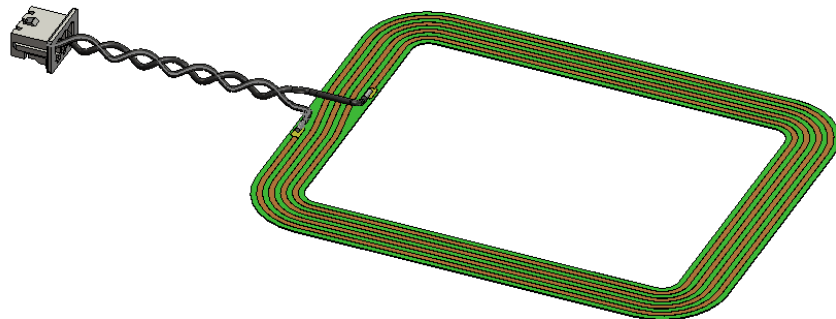
NFC Planar Sheet Antenna with wire and connector

W7000

Series : NFC



Marking area



Issue: 1302

In the effort to improve our products, we reserve the right to make changes judged to be necessary.

CONFIDENTIAL AND PROPRIETARY INFORMATION

This document contains confidential and proprietary information of Pulse Electronics, Inc. (Pulse) and is protected by copyright, trade secret and other state and federal laws. Its receipt or possession does not convey any rights to reproduce, disclose its contents, or to manufacture, use or sell anything it may describe. Reproduction, disclosure or use without specific written authorization of Pulse is strictly forbidden

NFC Planar Sheet Antenna with wire and connector

W7000

Series : **NFC**

Applications

Near field communication

Sharing & pairing

Features

Frequency:	13.56MHz
Size:	43 x 34mm
Connector:	Molex Picoblade 51021-0300

Electrical specification @ +25°C

Frequency Range: *	13.56MHz
Reading distance (mm): *	36 Grid scan (avg)
Self Resonance Frequency: **	75.5 MHz
Inductance @ 13.56MHz: **	1.27 µH
Impedance @ 13.56MHz: *	50 Ohm
Resistance @ 13.56MHz: **	2.2 Ohm
Q-factor @ 13.56MHz: **	49
Operating Temperature:	-30 to +85°C

Note: Measured in HP mock-up
 * With matching network
 ** Bare coil without any matching network

Mounting of NFC antenna

1. Surface texture of face of joint: VDI 3400 NO. 24 (Ra 1.6) of equal
2. Double-curvature on face of joint are not recommended

Issue: 1302

In the effort to improve our products, we reserve the right to make changes judged to be necessary.

CONFIDENTIAL AND PROPRIETARY INFORMATION

This document contains confidential and proprietary information of Pulse Electronics, Inc. (Pulse) and is protected by copyright, trade secret and other state and federal laws. Its receipt or possession does not convey any rights to reproduce, disclose its contents, or to manufacture, use or sell anything it may describe. Reproduction, disclosure or use without specific written authorization of Pulse is strictly forbidden

