

REALTEK

NOT FOR PUBLIC RELEASE

RTL8188CUS-GR

**SINGLE-CHIP IEEE 802.11b/g/n 1T1R WLAN
CONTROLLER WITH USB2.0 INTERFACE
(QFN-46)**

DATASHEET

(CONFIDENTIAL: Development Partners Only)

Rev. 1.0

28 May 2010

Track ID: JATR-2265-11



Realtek Semiconductor Corp.

No. 2, Innovation Road II, Hsinchu Science Park, Hsinchu 300, Taiwan

Tel.: +886-3-578-0211. Fax: +886-3-577-6047

www.realtek.com

COPYRIGHT

©2010 Realtek Semiconductor Corp. All rights reserved. No part of this document may be reproduced, transmitted, transcribed, stored in a retrieval system, or translated into any language in any form or by any means without the written permission of Realtek Semiconductor Corp.

DISCLAIMER

Realtek provides this document “as is”, without warranty of any kind. Realtek may make improvements and/or changes in this document or in the product described in this document at any time. This document could include technical inaccuracies or typographical errors.

TRADEMARKS

Realtek is a trademark of Realtek Semiconductor Corporation. Other names mentioned in this document are trademarks/registered trademarks of their respective owners.

USING THIS DOCUMENT

This document is intended for the software engineer’s reference and provides detailed programming information.

Though every effort has been made to ensure that this document is current and accurate, more information may have become available subsequent to the production of this guide.

REVISION HISTORY

Revision	Release Date	Summary
1.0	2010/05/28	First release.

Table of Contents

1. GENERAL DESCRIPTION	1
2. FEATURES	2
3. APPLICATION DIAGRAM	4
3.1. SINGLE-BAND 11N (1x1) SOLUTION (11N 1x1 MAC/BB/RF+PA)	4
4. PIN ASSIGNMENTS	5
4.1. PACKAGE IDENTIFICATION	5
5. PIN DESCRIPTIONS	6
5.1. USB TRANSCEIVER INTERFACE	6
5.2. POWER PINS	6
5.3. RF INTERFACE	6
5.4. LED INTERFACE.....	7
5.5. CLOCK AND OTHER PINS.....	7
6. ELECTRICAL AND THERMAL CHARACTERISTICS	9
6.1. TEMPERATURE LIMIT RATINGS	9
6.2. DC CHARACTERISTICS	9
7. MECHANICAL DIMENSIONS	10
7.1. MECHANICAL DIMENSIONS NOTES	10
8. ORDERING INFORMATION	11

List of Tables

TABLE 1.	USB TRANSCEIVER INTERFACE	6
TABLE 2.	POWER PINS	6
TABLE 3.	RF INTERFACE	6
TABLE 4.	LED INTERFACE.....	7
TABLE 5.	CLOCK AND OTHER PINS	7
TABLE 6.	TEMPERATURE LIMIT RATINGS	9
TABLE 7.	DC CHARACTERISTICS	9
TABLE 8.	ORDERING INFORMATION.....	11

List of Figures

FIGURE 1.	SINGLE-BAND 11N (1X1) SOLUTION (11N 1X1 MAC/BB/RF+PA).....	4
FIGURE 2.	PIN ASSIGNMENTS.....	5

1. General Description

The Realtek RTL8188CUS-GR is a highly integrated single-chip QFN-46 pin Wireless LAN (WLAN) USB2.0 network interface controller compatible with the 802.11n specification. It combines a MAC, a 1T1R capable baseband, and RF in a single chip. The RTL8188CUS provides a complete solution for a high throughput performance wireless client.

The RTL8188CUS baseband implements Orthogonal Frequency Division Multiplexing (OFDM) with 1 transmit and 1 receive path and is compatible with the IEEE 802.11n specification. Features include one spatial stream transmission, short guard interval (GI) of 400ns, spatial spreading, and transmission over 20MHz and 40MHz bandwidth.

For legacy compatibility, Direct Sequence Spread Spectrum (DSSS), Complementary Code Keying (CCK) and OFDM baseband processing are included to support all IEEE 802.11b and 802.11g data rates. Differential phase shift keying modulation schemes, DBPSK and DQPSK with data scrambling capability, are available, and CCK provides support for legacy data rates, with long or short preamble. The high-speed FFT/IFFT paths, combined with BPSK, QPSK, 16QAM, and 64QAM modulation of the individual subcarriers and rate compatible punctured convolutional coding with coding rate of 1/2, 2/3, 3/4, and 5/6, provide higher data rates of 54Mbps and 150Mbps for IEEE 802.11g and 802.11n OFDM respectively.

The RTL8188CUS builds in an enhanced signal detector, an adaptive frequency domain equalizer, and a soft-decision Viterbi decoder to alleviate severe multi-path effects and mutual interference in the reception of multiple streams. Robust interference detection and suppression are provided to protect against Bluetooth, cordless phone, and microwave oven interference.

Efficient IQ-imbalance, DC offset, phase noise, frequency offset, and timing offset compensations are provided for the radio frequency front-end. Selectable digital transmit and receive FIR filters are provided to meet transmit spectrum mask requirements and to reject adjacent channel interference, respectively.

The RTL8188CUS supports fast receiver Automatic Gain Control (AGC) with synchronous and asynchronous control loops among antennas, antenna diversity functions, and adaptive transmit power control function to obtain the better performance in the analog portions of the transceiver.

The RTL8188CUS MAC supports 802.11e for multimedia applications, 802.11i for security, and 802.11n for enhanced MAC protocol efficiency. Using packet aggregation techniques such as A-MPDU with BA and A-MSDU, protocol efficiency is significantly improved. Power saving mechanisms such as Legacy Power Save, and U-APSD, and APSD, reduce the power wasted during idle time, and compensates for the extra power required to transmit OFDM. The RTL8188CUS provides simple legacy and 20MHz/40MHz co-existence mechanisms to ensure backward and network compatibility.

2. Features

General

- 46-pin QFN
- CMOS MAC, Baseband PHY, and RF in a single chip for IEEE 802.11b/g/n compatible WLAN
- Complete 802.11n solution for 2.4GHz band
- 72.2Mbps receive PHY rate and 72.2Mbps transmit PHY rate using 20MHz bandwidth
- 150Mbps receive PHY rate and 150Mbps transmit PHY rate using 40MHz bandwidth
- Compatible with 802.11n specification
- Backward compatible with 802.11b/g devices while operating in 802.11n mode

Host Interface

- Complies with USB Specification Revision 2.0

Standards Supported

- IEEE 802.11b/g/n compatible WLAN
- IEEE 802.11e QoS Enhancement (WMM)
- IEEE 802.11h TPC, Spectrum Measurement
- 802.11i (WPA, WPA2). Open, shared key, and pair-wise key authentication services

MAC Features

- Frame aggregation for increased MAC efficiency (A-MSDU, A-MPDU)
- Low latency immediate High-Throughput Block Acknowledgement (HT-BA)
- Long NAV for media reservation with CF-End for NAV release
- PHY-level spoofing to enhance legacy compatibility
- Power saving mechanism
- Channel management and co-existence
- Multiple BSSID feature allows the RTL8188CUS to assume multiple MAC identities when used as a wireless bridge
- Transmit Opportunity (TXOP) Short Inter-Frame Space (SIFS) bursting for higher multimedia bandwidth

Peripheral Interfaces

- General Purpose Input/Output (10 pins)
- Three configurable LED pins
- Configurable Bluetooth Coexistence Interface

Continued on next page...

PHY Features

- IEEE 802.11n OFDM
- One Transmit and one Receive path (1T1R)
- 20MHz and 40MHz bandwidth transmission
- Short Guard Interval (400ns)
- DSSS with DBPSK and DQPSK, CCK modulation with long and short preamble
- OFDM with BPSK, QPSK, 16QAM, and 64QAM modulation.
Convolutional Coding Rate: 1/2, 2/3, 3/4, and 5/6
- Maximum data rate 54Mbps in 802.11g and 150Mbps in 802.11n
- Switch diversity for DSSS/CCK
- Hardware antenna diversity
- Selectable receiver FIR filters
- Programmable scaling in transmitter and receiver to trade quantization noise against increased probability of clipping
- Fast receiver Automatic Gain Control (AGC)
- On-chip ADC and DAC

3. Application Diagram

3.1. Single-Band 11n (1x1) Solution (11n 1x1 MAC/BB/RF+PA)

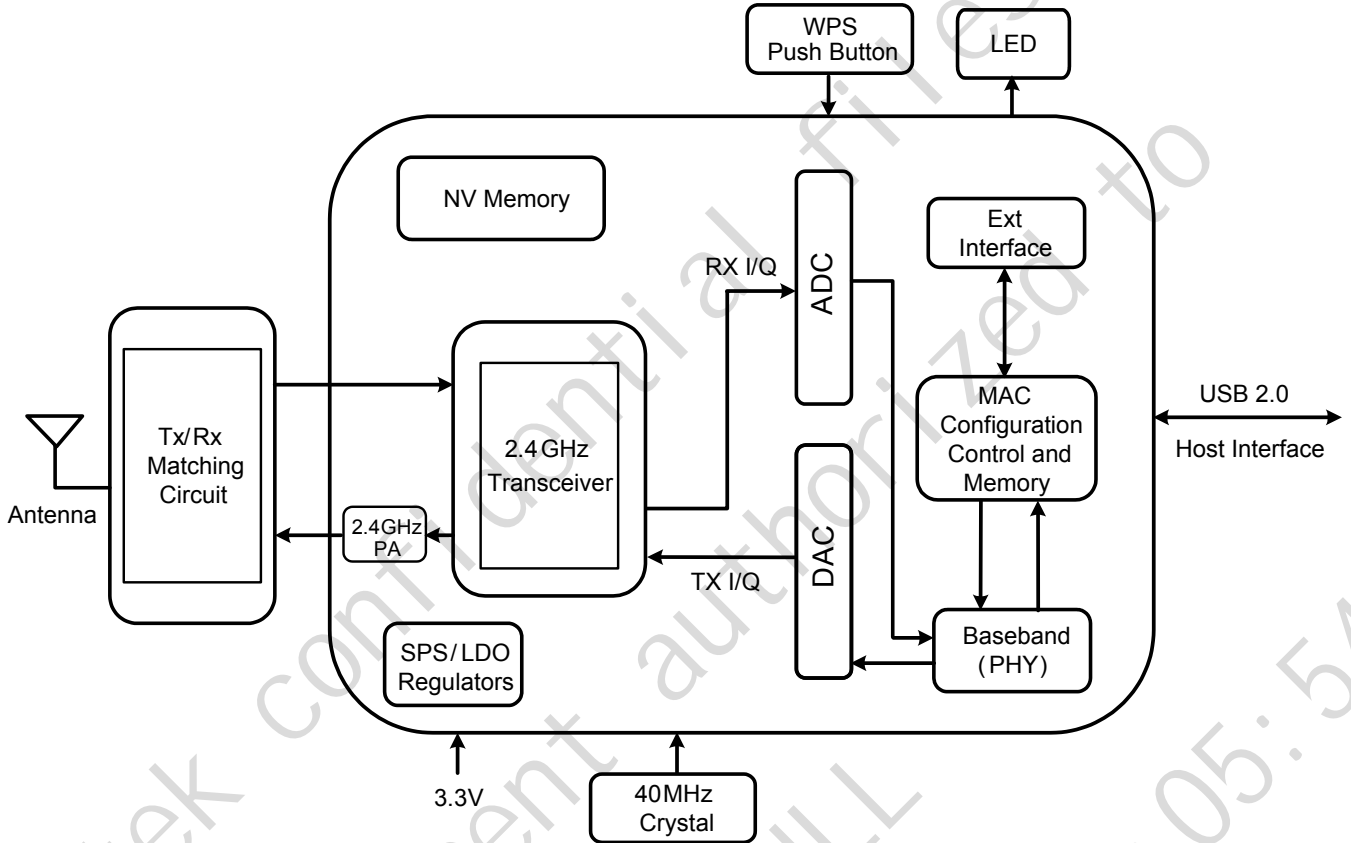


Figure 1. Single-Band 11n (1x1) Solution (11n 1x1 MAC/BB/RF+PA)

4. Pin Assignments

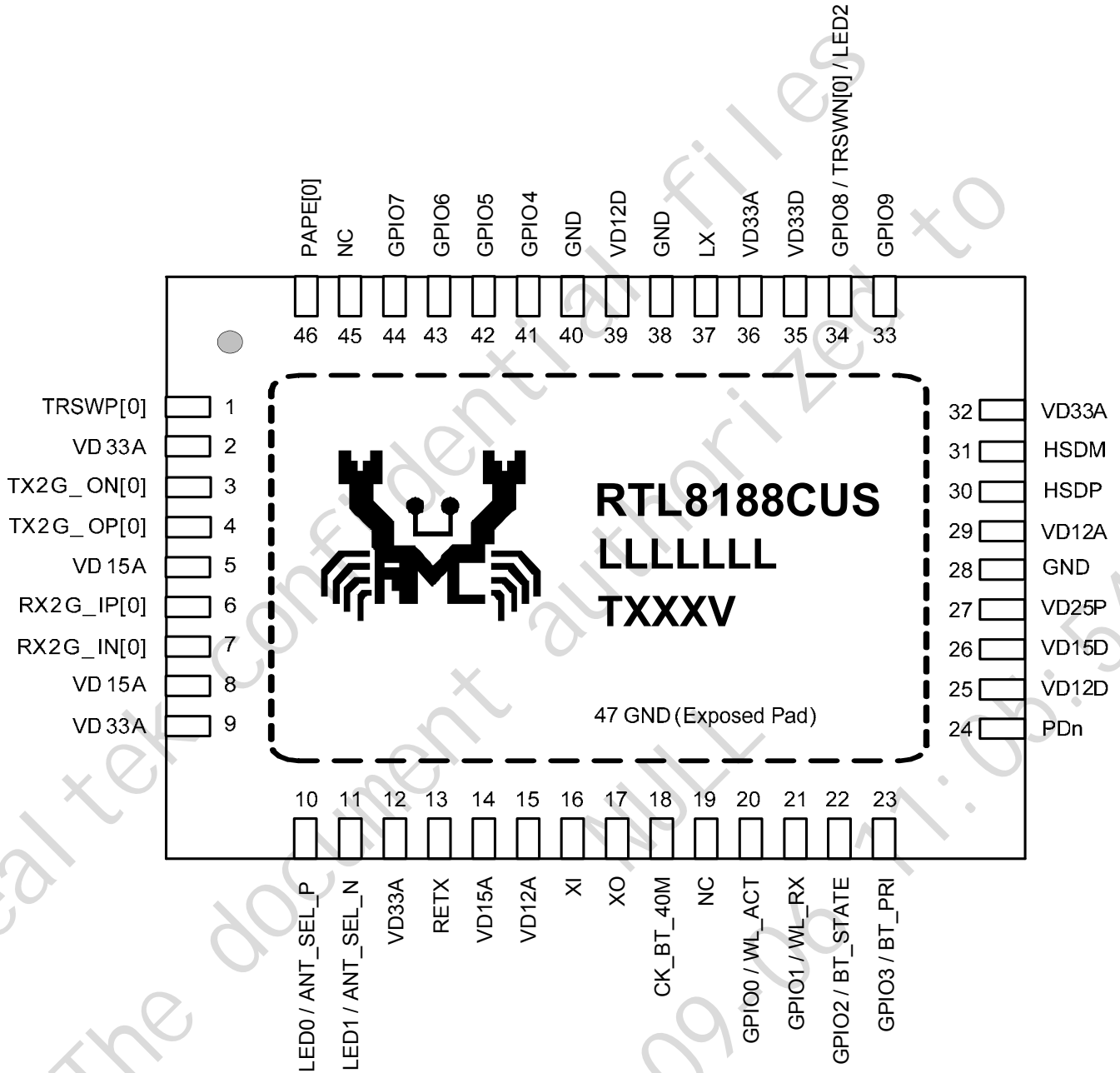


Figure 2. Pin Assignments

4.1. Package Identification

‘Green’ package is indicated by a ‘G’ in the location marked ‘T’ in Figure 2.

5. Pin Descriptions

The following signal type codes are used in the tables:

I: Input	O: Output
T/S: Tri-State bi-directional input/output pin	S/T/S: Sustained Tri-State
O/D: Open Drain	P: Power pin

5.1. USB Transceiver Interface

Table 1. USB Transceiver Interface

Symbol	Type	Pin No	Description
HSDP	IO	30	High-Speed USB D+ Signal
HSDM	IO	31	High-Speed USB D- Signal

5.2. Power Pins

Table 2. Power Pins

Symbol	Type	Pin No	Description
LX	P	37	Switching Regulator Output
VD33A	P	2, 9, 12, 32, 36	VDD 3.3V for Analog
VD33D	P	35	VDD3.3V for Digital
VD25P	P	27	VDD 2.5V for Internal NV-Memory
VD15A	P	5, 8, 14	VDD 1.5V for Analog
VD15D	P	26	VDD 1.5V for Digital
VD12A	P	15, 29	Analog 1.2V Regulator Output
VD12D	P	25, 39	Digital 1.2V Regulator Output
GND	P	28, 38, 40	Ground
RETX	P	13	24k (1%) Precision Resistor for Bandgap

5.3. RF Interface

Table 3. RF Interface

Symbol	Type	Pin No	Description
TRSWN[0]/ GPIO8/LED2	O	34	Transmit/Receive Path Select 0 Shared with LED2; can be selected by control register
PAPE[0]	O	46	2.4GHz Transmit Power Amplifier Power Enable 0
TRSWP[0]	O	1	Transmit/Receive Path Select 0

Symbol	Type	Pin No	Description
TX2G_ON[0]	O	3	RF TX0 Negative Signal
TX2G_OP[0]	O	4	RF TX0 Positive Signal
RX2G_IP[0]	I	6	RF RX0 Positive Signal
RX2G_IN[0]	I	7	RF RX0 Negative Signal
ANT_SEL_P/LED0	O	10	Antenna Control Positive Signal Shared with LED0; can be selected by control register
ANT_SEL_N/LED1	O	11	Antenna Control Negative Signal Shared with LED1; can be selected by control register

5.4. LED Interface

Table 4. LED Interface

Symbol	Type	Pin No	Description
LED0/ANT_SEL_P	O	10	LED Pins (Active Low) Shared with ANT_SEL_P; can be selected by control register
LED1/ANT_SEL_N	O	11	LED Pins (Active Low) Shared with ANT_SEL_N; can be selected by control register
LED2/TRSWN[0]/GPIO8	O	34	LED Pins (Active Low) Shared with TRSWN[0] or GPIO8, can be selected by control register

5.5. Clock and Other Pins

Table 5. Clock and Other Pins

Symbol	Type	Pin No	Description
XI	I	16	40MHz OSC Input Input of 40MHz Crystal Clock Reference
XO	O	17	Output of 40MHz Crystal Clock Reference
CK_BT_40M	O	18	Buffered 40M Clock Outputs for Other Peripheral IC
PDn	I	24	This Pin Can Externally Shutdown the RTL8191SE-VA1 (no requirement for Extra Power Switch) This pin can also support the WLAN Radio-off function with host interface remaining connected.
GPIO0/WL_ACT	IO	20	General Purpose Input/Output Pin or Bluetooth Coexistence WL_ACT Pin The WL_ACT signal indicates when the WLAN is either transmitting or receiving in the 2.4GHz ISM band.
GPIO1/WL_RX	IO	21	Trap Function: Weakly pull high at power on to turn on CK_BT_40M. General Purpose Input/Output Pin or Bluetooth Coexistence WL_RX Pin WL_RX is an indicator for wireless LAN RX activity.
GPIO2/BT_STATE	IO	22	General Purpose Input/Output Pin or Bluetooth Coexistence BT_STAT Pin The BTSTAT signal indicates when normal Bluetooth packets are being transmitted or received.

Symbol	Type	Pin No	Description
GPIO3/BT_PRI	IO	23	General Purpose Input/Output Pin or Bluetooth Coexistence BT_PRI Pin The BT_PRI signal indicates when a high priority Bluetooth packet is being transmitted or received.
GPIO4	IO	41	General Purpose Input/Output Pin
GPIO5	IO	42	General Purpose Input/Output Pin
GPIO6	IO	43	General Purpose Input/Output Pin
GPIO7	IO	44	General Purpose Input/Output Pin
GPIO8/TRSWN[0]/LED2	IO	34	General Purpose Input/Output Pin, RF TX/RX Path Select, and LED2
GPIO9	IO	33	General Purpose Input/Output Pin
NC	-	19, 45	Not Connected

6. Electrical and Thermal Characteristics

6.1. Temperature Limit Ratings

Table 6. Temperature Limit Ratings

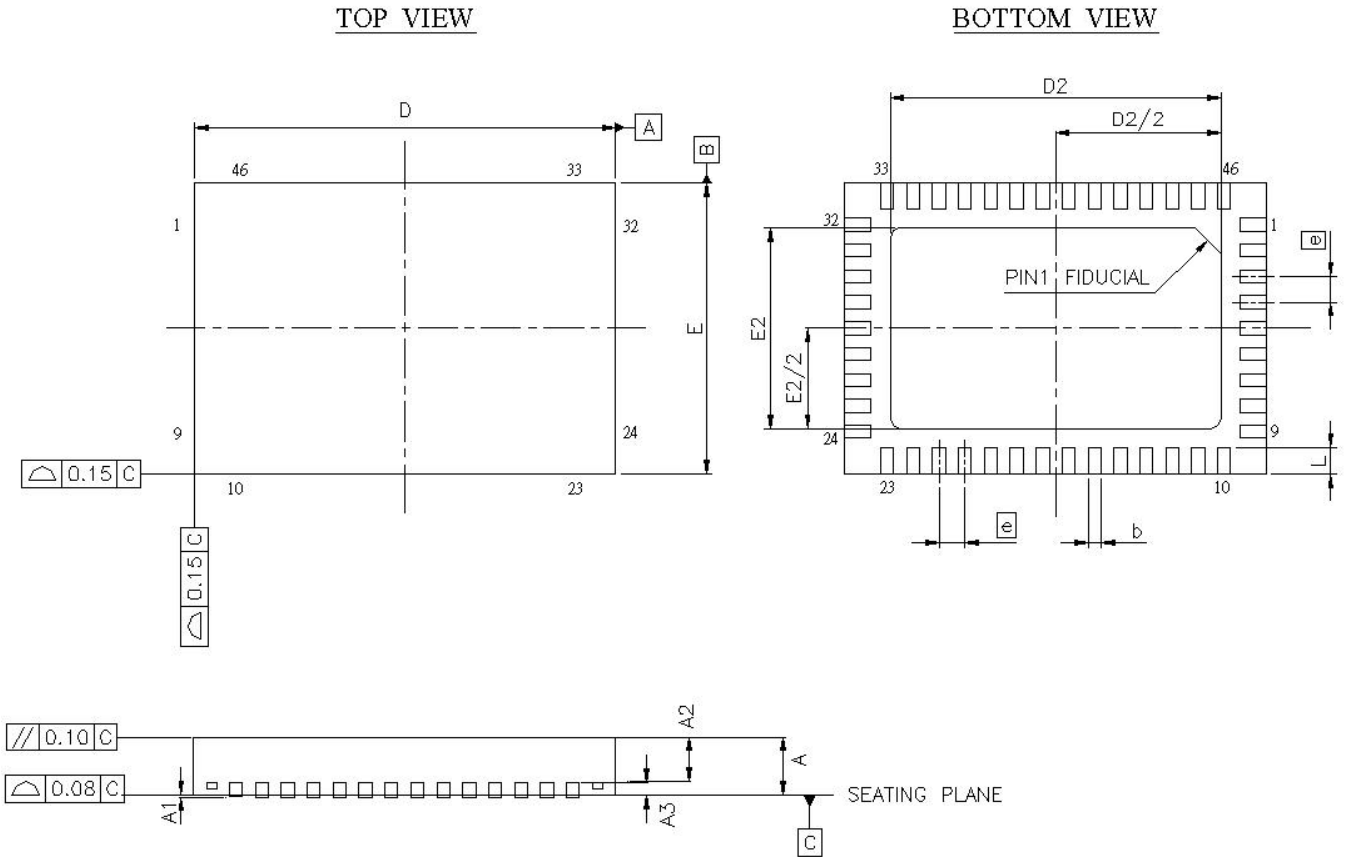
Parameter	Minimum	Maximum	Units
Storage Temperature	-55	+125	°C
Ambient Operating Temperature	0	70	°C
Junction Temperature	0	125	°C

6.2. DC Characteristics

Table 7. DC Characteristics

Symbol	Parameter	Minimum	Typical	Maximum	Units
VD33A, VD33D	3.3V I/O Supply Voltage	3.135	3.3	3.465	V
VD12A, VD12D	1.2V Core Supply Voltage	1.10	1.2	1.32	V
VD15A, VD15D	1.5V Supply Voltage	1.425	1.5	1.575	V
IDD33	3.3V Rating Current	-	-	600	mA

7. Mechanical Dimensions



7.1. Mechanical Dimensions Notes

Symbol	Dimension in mm			Dimension in inch		
	Min	Nom	Max	Min	Nom	Max
A	0.75	0.85	1.00	0.030	0.034	0.039
A ₁	0.00	0.04	0.05	0.000	0.001	0.002
A ₂	0.55	0.65	0.80	0.022	0.026	0.032
A ₃	0.20REF			0.008REF		
b	0.15	0.20	0.25	0.006	0.008	0.010
D	6.50BSC			0.256BSC		
D2	4.85	5.10	5.35	0.191	0.201	0.211
E	4.5BSC			0.177BSC		
E2	2.25	2.50	2.75	0.088	0.098	0.108
e	0.40BSC			0.016BSC		
L	0.30	0.40	0.50	0.012	0.016	0.020

Note1: CONTROLLING DIMENSION: MILLIMETER (mm).

Note2: REFERENCE DOCUMENT: JEDEC MO-220.

8. Ordering Information

Table 8. Ordering Information

Part Number	Package	Status
RTL8188CUS-GR	QFN-46, 'Green' Package	Mass Production

Note: See page 5 for package identification.

Realtek Semiconductor Corp.**Headquarters**

No. 2, Innovation Road II, Hsinchu Science Park,
Hsinchu 300, Taiwan, R.O.C.

Tel: 886-3-5780211 Fax: 886-3-5776047

www.realtek.com