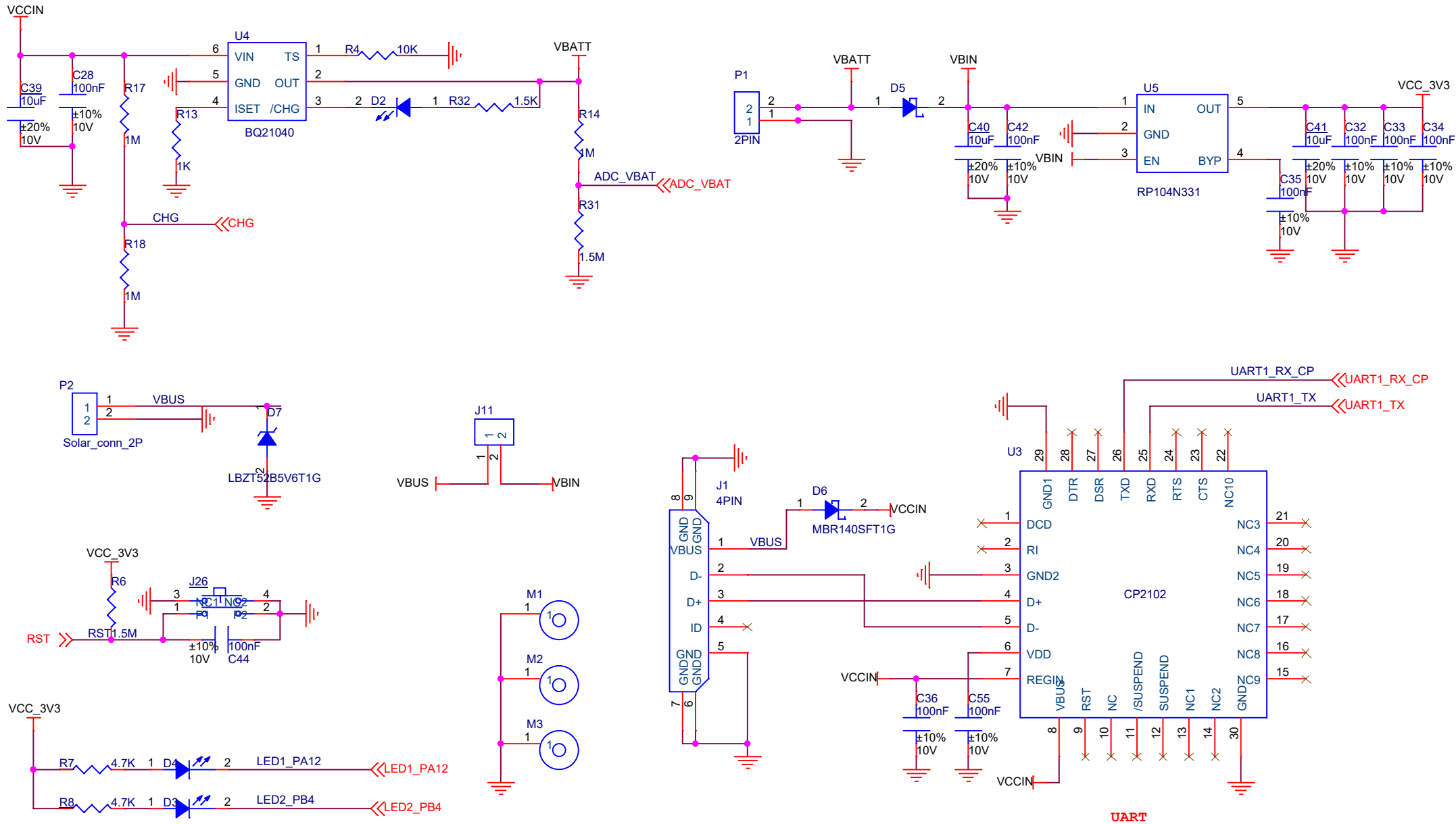


Block diagram

<Variant Name>

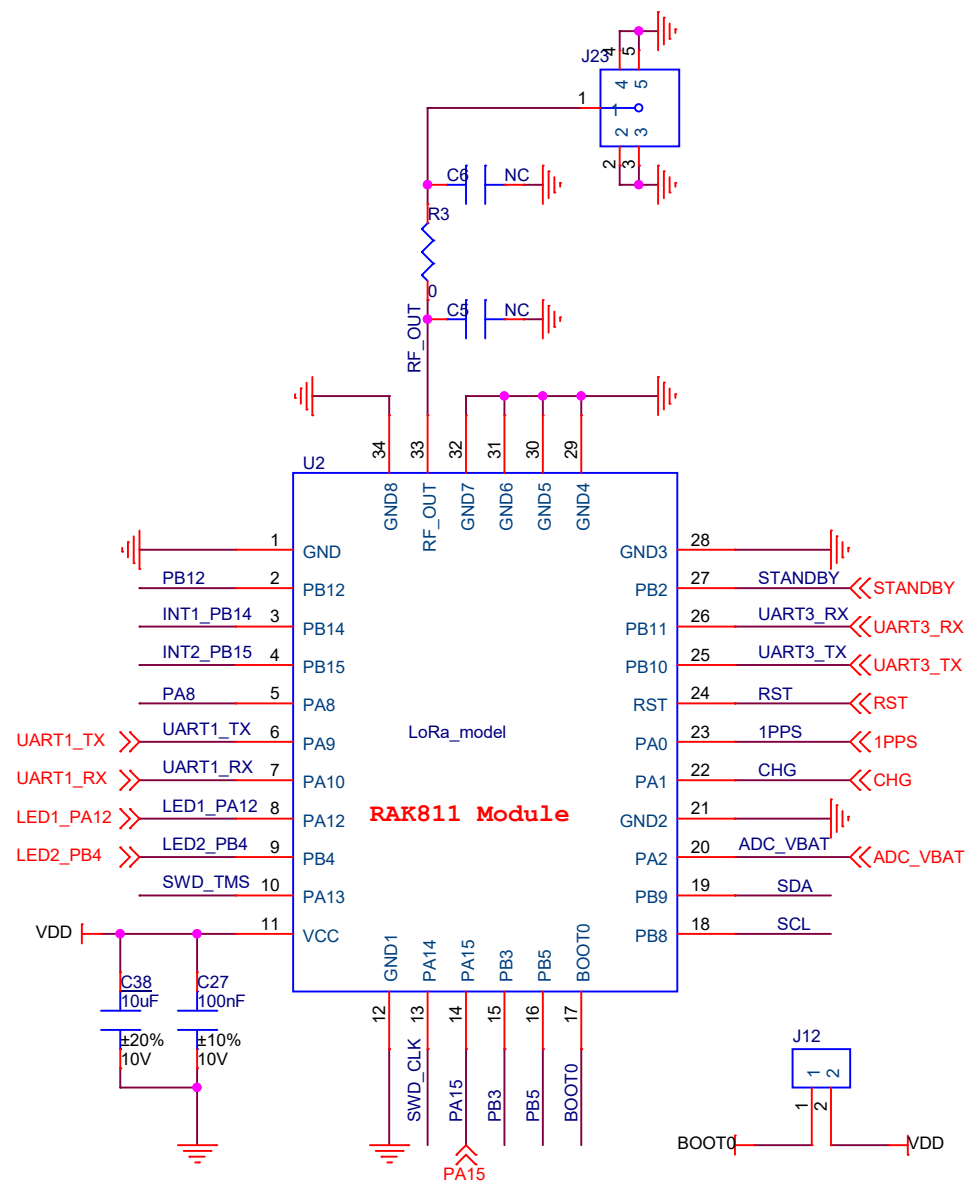
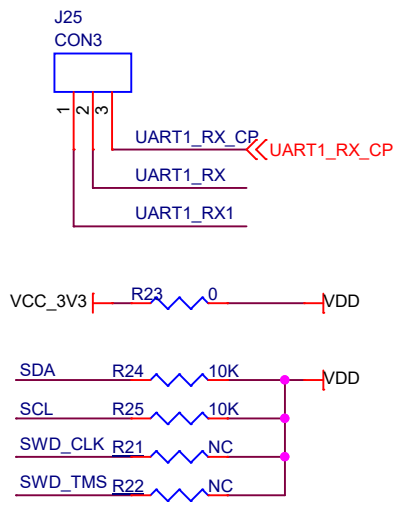
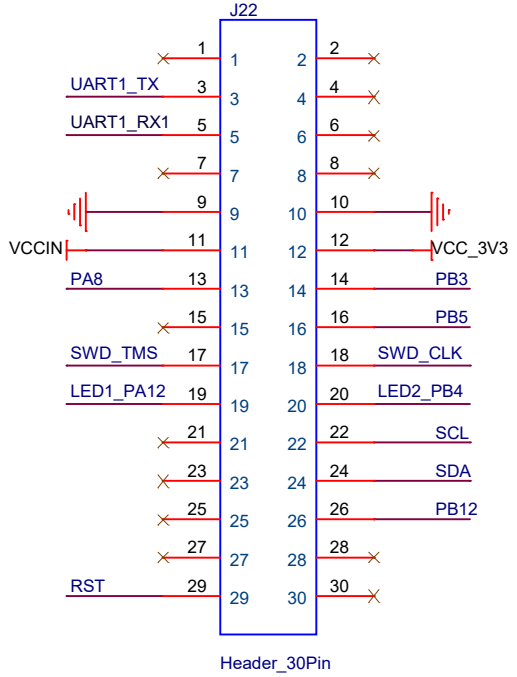
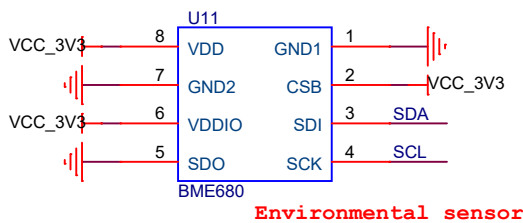
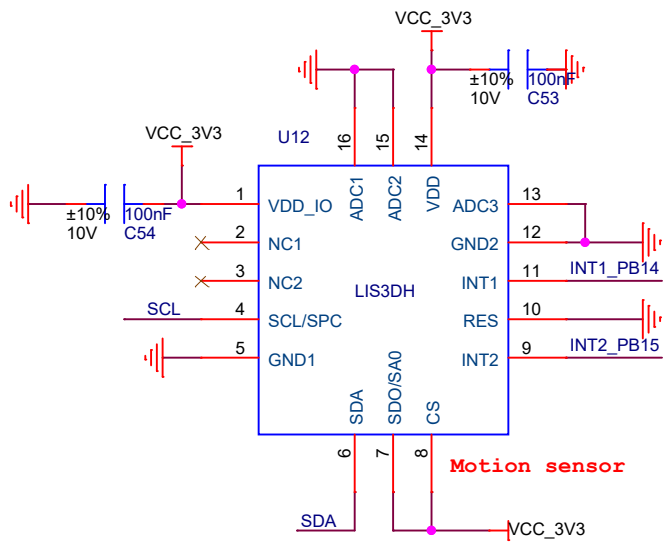
Author: HairuiTao		
Title WisTrio-Lora RAK5205		
Size A4	Document Number <Doc>	Rev B
Date: Thursday, October 18, 2018	Sheet 1 of 4	



UART

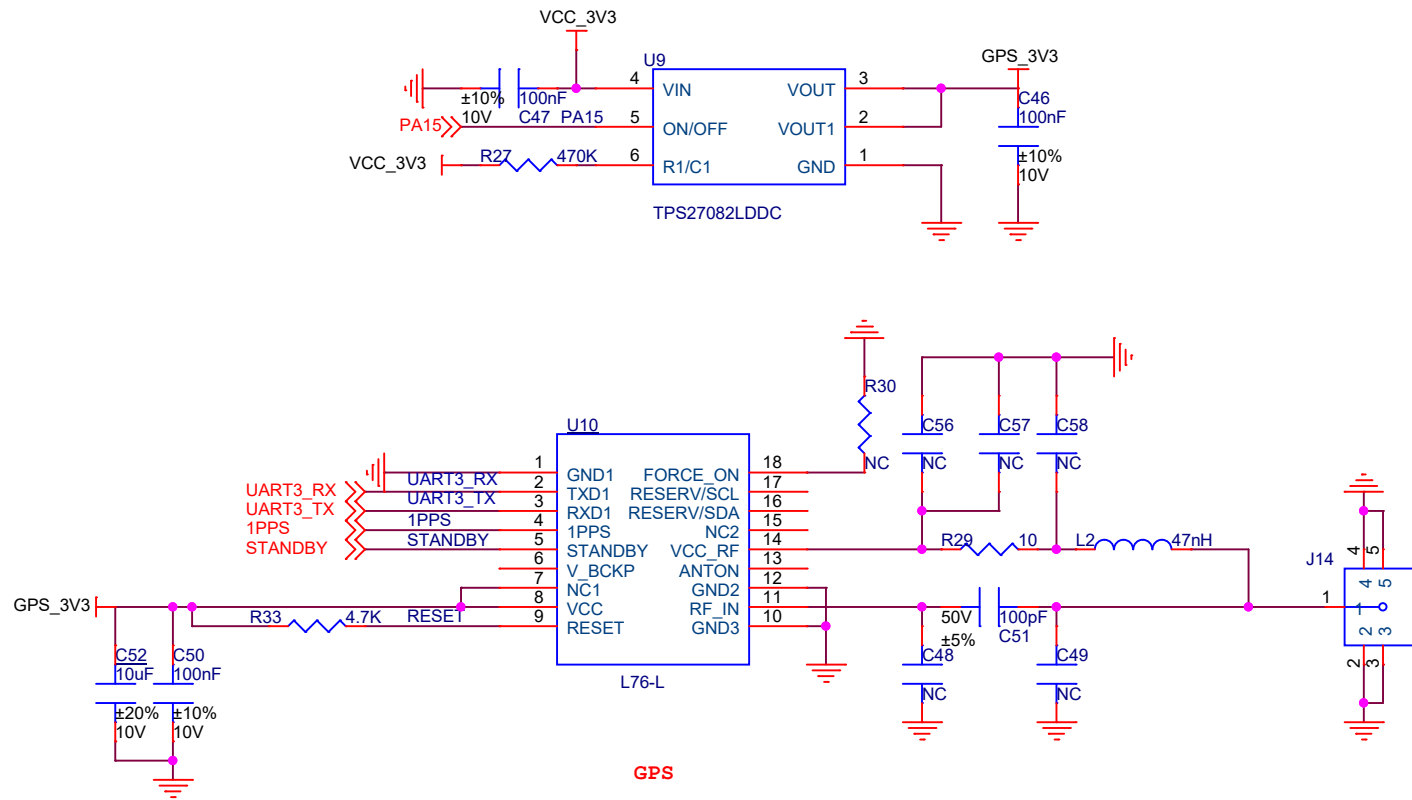
<Variant Name>

Author: HairuiTao		
Title WisTrio-Lora RAK5205		
Size A4	Document Number <Doc>	Rev B
Date: Thursday, October 18, 2018	Sheet 2	of 4



<Variant Name>

Author: HairuiTao		
Title WisTrio-Lora RAK5205		
Size A4	Document Number <Doc>	Rev B
Date: Thursday, October 18, 2018	Sheet 3	of 4



<Variant Name>

Author: HairuiTao		
Title WisTrio-Lora RAK5205		
Size A4	Document Number <Doc>	Rev B
Date: Thursday, October 18, 2018	Sheet 4	of 4