

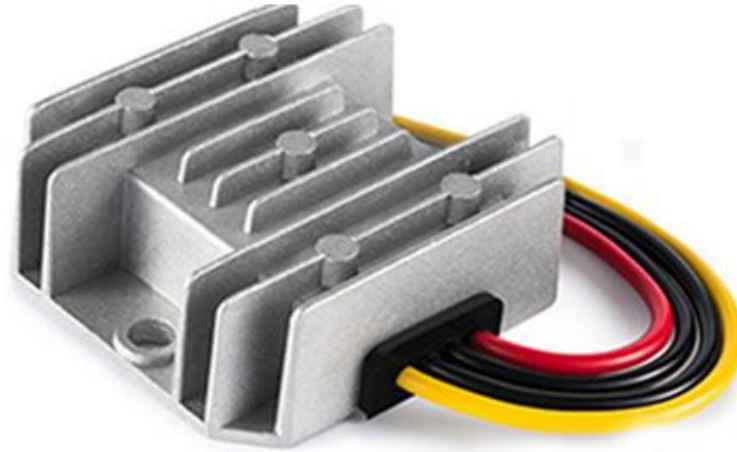


广州市恒诺电子有限公司

HN50-1224-5 Single Output IP68 Impulse DC-DC Converter

ISO 9001 Certified

Manufacturer: Guangzhou Hengnuo Electronics Co., Ltd.



SPECIFICATION

All Specifications Typical At Nominal Line, Full Load, 25°C Unless Otherwise Noticed

General characteristics	Conditions min. – max.
Model	HN25-1224-5
Device type	Asynchronous, non-isolated, Impulse DC-DC Converter
Operating ambient temperature	-40°C – +80°C
Operating case temperature	Max. 85°C
Relative humidity	20 – 99% RH
Cooling	Free air convection
Ingress Protection Rating	IP68
Input/Output connections	4-Wired AWG18, 120mm
Protection	Overheat, overvoltage, undervoltage, overcurrent, short circuit, waterproof, anti-dust, anti-shock

Input characteristics	Conditions min. – max.
Input voltage range	9.0 – 36.0 VDC
No load input current (I _{out} =0)	Max. 15mA
Power factor correction (PFC)	Max. 93%

Output characteristics	Conditions min. – max.
Output voltage	5.0 VDC
Current range	0 – 10A
Power range	0 – 50W
Ripple & noise	Max. 150mVp-p
Line regulation	Max. 1%
Load regulation	Max. 2%

Physical characteristics	Conditions
Case material	Aluminium alloy
Potting material	Organic silica gel
Case dimension	L58.0±2.0 x W66.0±2.0 x H23.0±2.0 mm
Weight	0.135kg



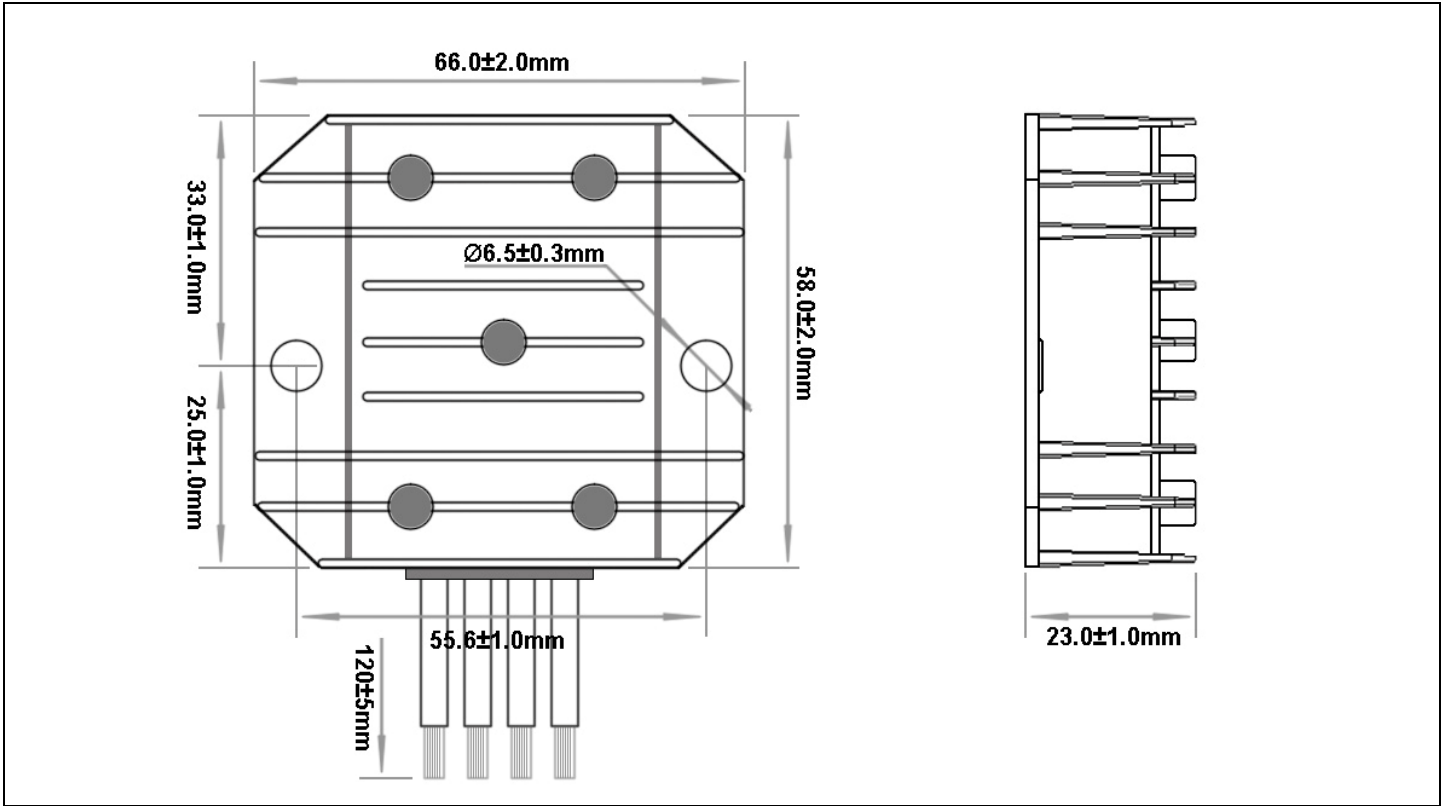
广州市恒诺电子有限公司

HN50-1224-5 Single Output IP68 Impulse DC-DC Converter

ISO 9001 Certified

Manufacturer: Guangzhou Hengnuo Electronics Co., Ltd.

MECHANICAL SPECIFICATION



APPLICATION CIRCUIT

