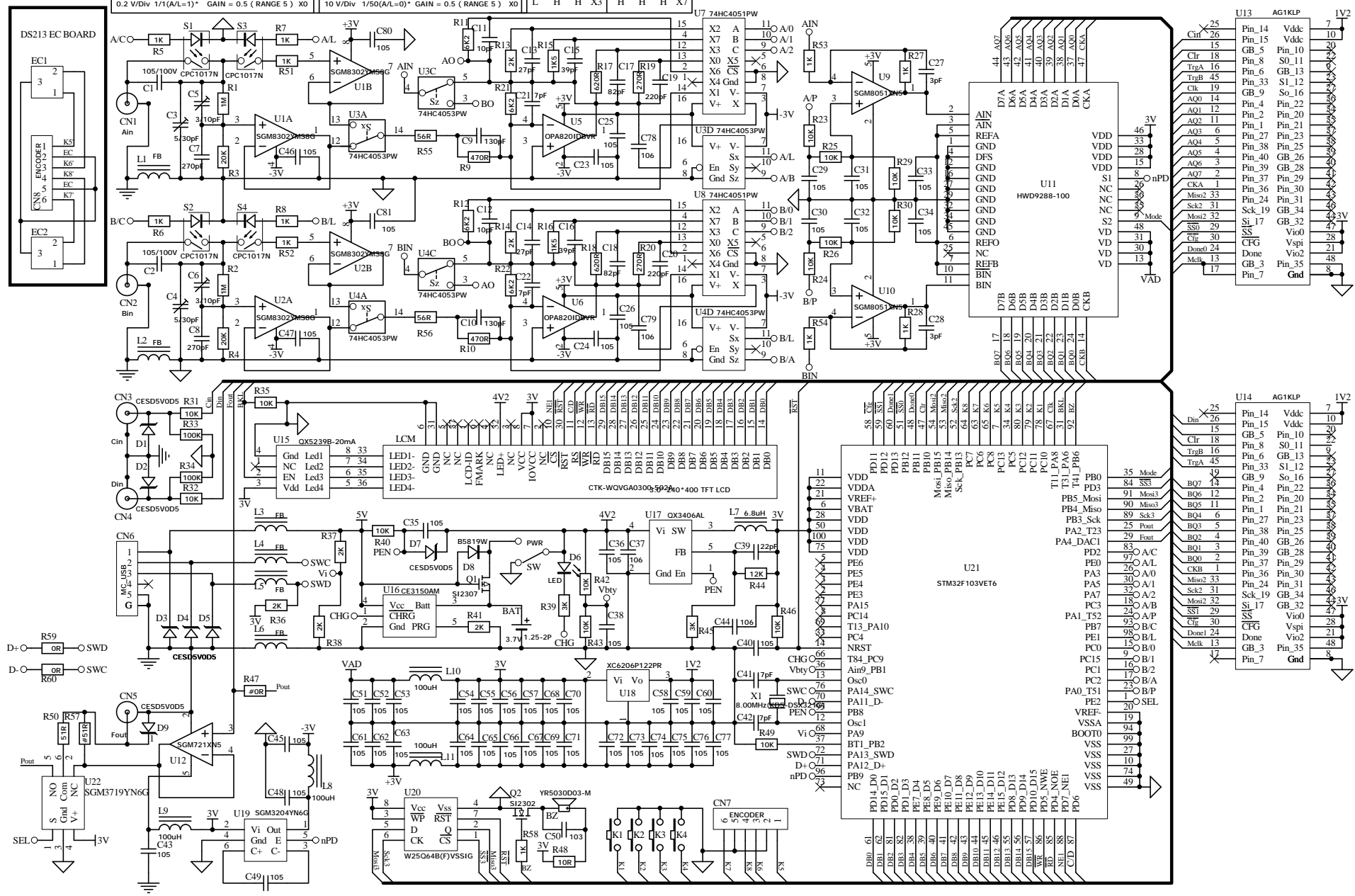


# DS213 V2.0 SCH

|  |   |             |             |
|--|---|-------------|-------------|
| 10mV/Div 1/(A/L-1)* GAIN = 10 ( RANGE 5 ) X4   | 0.5V/Div 1/50(A/L-0)* GAIN = 10 ( RANGE 5 ) X4  | A/2 A/1 A/0 | A/2 A/1 A/0 |
| 20mV/Div 1/(A/L-1)* GAIN = 5 ( RANGE 1 ) X6    | 1.0V/Div 1/50(A/L-0)* GAIN = 5 ( RANGE 1 ) X6   | L L L X0    | H L L X4    |
| 50mV/Div 1/(A/L-1)* GAIN = 2 ( RANGE 3 ) X7    | 2.0V/Div 1/50(A/L-0)* GAIN = 2.5 ( RANGE 2 ) X7 | L L H X1    | H L H X5    |
| 0.1 V/Div 1/(A/L-1)* GAIN = 1 ( RANGE 4 ) X3   | 5.0V/Div 1/50(A/L-0)* GAIN = 1 ( RANGE 4 ) X3   | L L H L X2  | H H L X6    |
| 0.2 V/Div 1/(A/L-1)* GAIN = 0.5 ( RANGE 5 ) X0 | 10 V/Div 1/50(A/L-0)* GAIN = 0.5 ( RANGE 5 ) X0 | L H H X3    | H H H X7    |



D  
C  
B  
A

D  
C  
B  
A

1 2 3 4 5 6

1 2 3 4 5 6